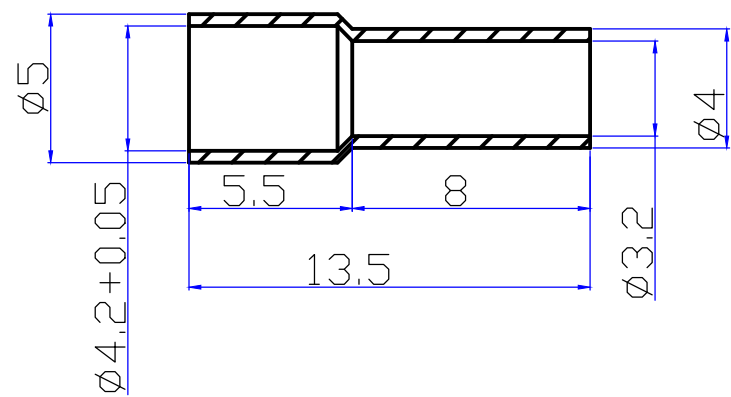
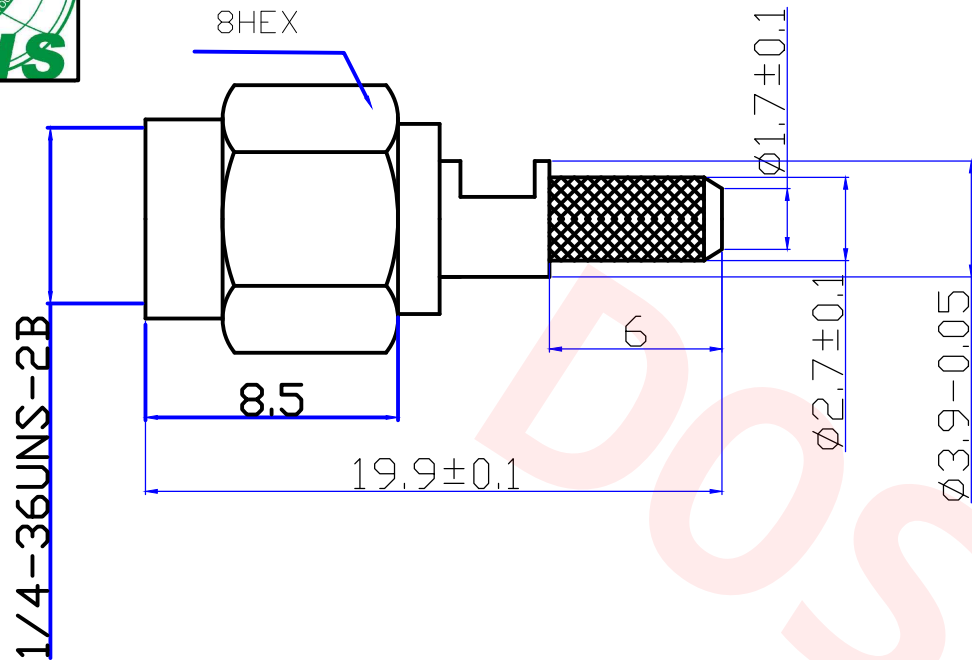




Customer NO:		DOSIN-806-0286		
REV	DESCRIPTION	DWN	DATE	APPROVEN
A	First issue	Mr. CHEN	2016/9/22	John kine
B				



Specifications:

IMPEDANCE: 50 Ohms
 Frequency range: 0~3GHZ
 VSWR: 1.3MAX
 Working voltage: 500V rms @ sea level
 Insulation resistance: 5000 Ohms min
 Temperature range: -65°C TO +165°C
 Relative temperature: ≤95% (40° C ± 2° C)

8				
7				1
6				1
5				1
4	FERRULE	BRASS	NICKEL	1
3	CONTACT PIN	BER. COPPER	GOLD	1
2	INSULATOR	TEFLON	WHITE	1
1	BODY	BRASS	GOLD	1
	DESCRIPTION	MATERIAL	FINISH	QTY

NOTE:
 DRAWN Zelin. CHEN
 CHECKED John
 APPROVALS John

Tolerance	X. ±0.15 X.X ±0.10 X.XX ±0.05 Angular ±5°
View	
UNIT	MM
SCALE	1:1

Dosin Industrial (H.K) Co. Ltd
 东莞市德索五金电子制品有限公司
Dosin Hardware Electronics Co., Ltd

E-mail: dosin2005@163.com
 dosin2005@dosing-china.com
 Web: http://www.dosingconn.com
 TEL: (0086) 769-81153906
 FAX: (0086) 769-81875836

Name: SMA PLUG FOR RG316 CABLE
 SIZE A Product NO. DOSIN-806-0286 REV A
 DateTime 2016/9/22 CAD FILE H/company drawings/BD SHEET: 1 OF 1