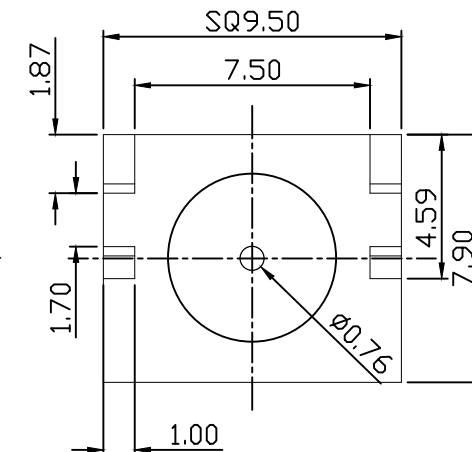
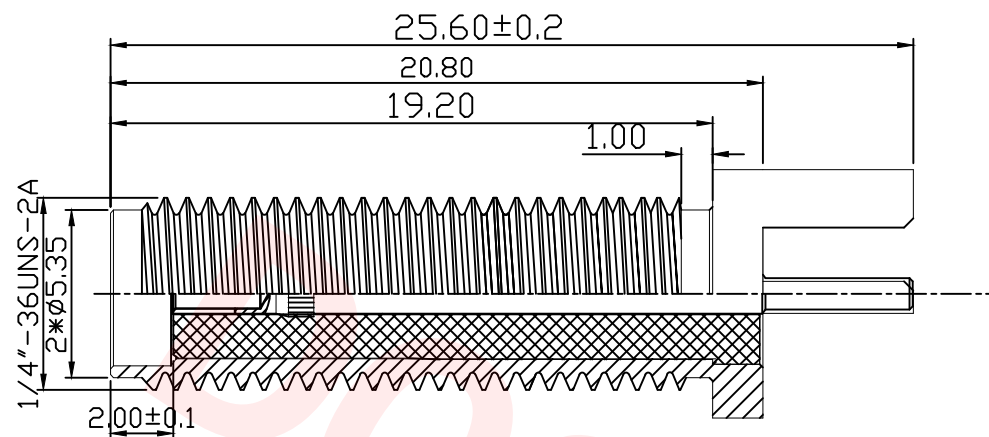


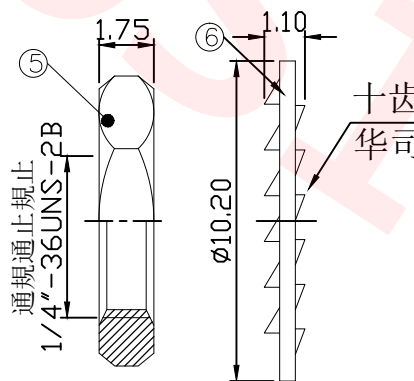


Product NO.		DOSIN-806-0272		
REV	DESCRIPTION	DWN	DATE	APPROVEN
A	First issue	Mr. CHEN	2017/06/30	John kine



Specifications:

IMPEDANCE: 50 Ohms
 Frequency range: 0~6GHZ
 VSWR: 1.5MAX
 Working voltage: 500V rms @ sea level
 Insulation resistance: 5000 Ohms min
 Temperature range: -65°C TO +165°C
 Relative temperature: ≤95% (40° C ± 2° C)



1	Body	Brass	GOLD	NOTE:	Tolerance	X.	±0.15	Dosing Industrial (H.K) Co. Ltd 东莞市德索五金电子制品有限公司 Dosing Hardware Electronics Co., Ltd	E-mail: dosin2005@163.com	
2	Insulator	TEFLON	White			X.X	±0.10		dosin2005@dosing-china.com	
3	Center contact	Brass	GOLD			X.XX	±0.05		Web: http://www.dosingconn.com	
4	Washer	Brass	GOLD			Angular	±5°		TEL: (0086) 769-81153906	
5	NUT	Brass	GOLD						FAX: (0086) 769-81875836	
6				DRAWN		Name: SMA JACK FOR PCB				
7				Zelin. CHEN		View		SIZE	Product NO.	REV
8				CHECKED		UNIT	MM	A	DOSIN-806-0272	A
9						SCALE	1:1	DateTime		
10	Component Number	Material	Finish	APPROVALS		2017/06/30		CAD FILE		
	A	B		John		2017/06/30		H/company drawings/BD		SHEET: 1 OF 1