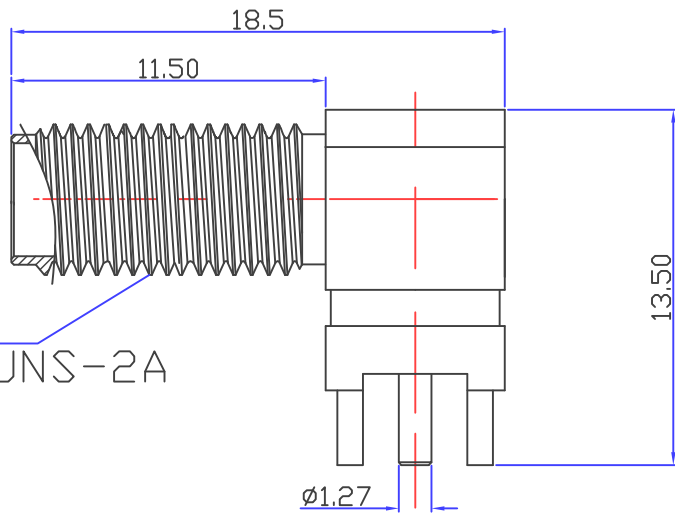
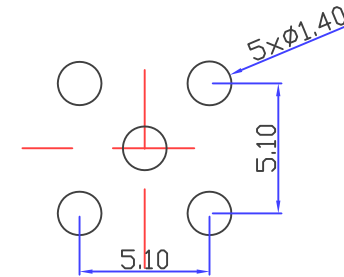
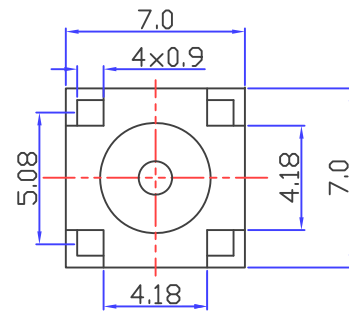
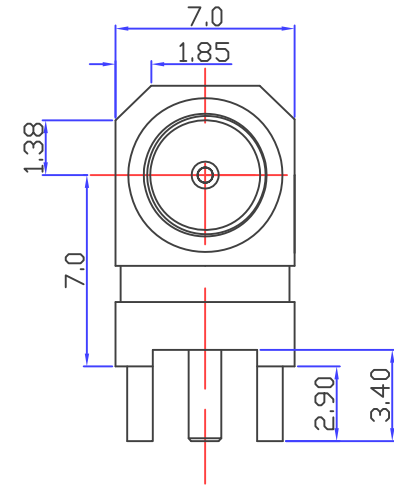




Product NO.		DOSIN-806-0227		
REV	DESCRIPTION	DWN	DATE	APPROVEN
A	First issue	Mr. CHEN	2016/10/9	John kine
B				



1/4"-36UNS-2A



Specifications

Impedance: 50 Ohms
 Frequency Range: DC~3G
 VSWR: 1.3MAX
 Working Voltage: 500V rms @ sea level
 Insulation Resistance: 5000 Ohms min
 Temperature Range: -65°C TO +165°C
 Relative Temperature: $\leq 95\%$ (40° C $\pm 2^\circ$ C)
 Drawings products are in line with ROHS standards

1	Body	Brass	GOLD
2	Insulator	TEFLON	White
3	CONTACT PIN	BRASS	GOLD
4			
5			
6			
7			
8			
9			
10			
NO	Component Number	Material	Finish

NOTE:	
DRAWN	Zelin. CHEN
CHECKED	
APPROVALS	John

Tolerance	X.	± 0.15
	X.X	± 0.10
View	X.XX	± 0.05
	Angular	$\pm 5^\circ$
UNIT	MM	
SCALE	1:1	

Dosin Industrial (HK) Co. Ltd 东莞市德索五金电子制品有限公司 Dosin Hardware Electronics Co., Ltd		E-mail: dosin2005@163.com dosin2005@dosin-china.com Web: http://www.dosinconn.com TEL: (0086) 769-81153906 FAX: (0086) 769-81875836
Name: SMA JACK FOR PCB		
SIZE A	Product NO. DOSIN-806-0227	REV A
DateTime 2016/10/09	CAD FILE H/company drawings/BD	SHEET: 1 OF 1