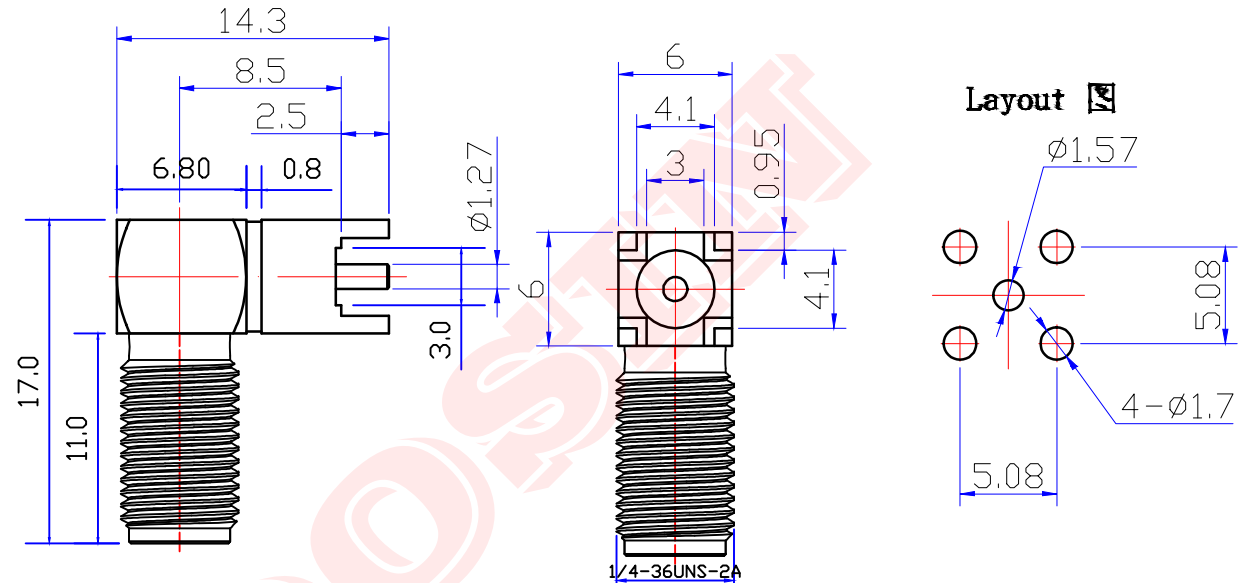




Product NO.		DOSIN-806-0196		
REV	DESCRIPTION	DWN	DATE	APPROVEN
A	First issue	Mr. chen	2016/05/21	John kine
B				



Specifications:

IMPEDANCE: 50 Ohms
 Frequency range: 0~6GHZ
 VSWR: 1.5MAX
 Working voltage: 500V rms @ sea level
 Insulation resistance: 5000 Ohms min
 Temperature range: -65°C TO +165°C
 Relative temperature: $\leq 95\%$ (40° C $\pm 2^\circ$ C)

1	Body	Brass	GOLD	NOTE:	Tolerance	X.	± 0.15	Dosin Industrial (HK) Co., Ltd 东莞市德索五金电子制品有限公司 Dosin Hardware Electronics Co., Ltd	E-mail: dosin2005@163.com dosin2005@dosin-china.com Web: http://www.dosinconn.com TEL: (0086) 769-81153906 FAX: (0086) 769-81875836			
2	Insulator	TEFLON	White			X.X	± 0.10					
3	CONTACT PIN	Brass	GOLD			X.XX	± 0.05					
4						Angular	$\pm 5^\circ$					
5				DRAWN	2016/05/21	View		Name: SMA JACK R/A ON PCB<17X14.3>				
6				Zelin. Zhang	21							
7				CHECKED								
8				APPROVALS	21/05.2016	UNIT	MM	SIZE A	Product NO. DOSIN-806-0196	REV A		
9				John Kine		SCALE	1:1	DateTime	2016/05/21	CAD FILE	H/company drawings/BD	SHEET: 1 OF 1