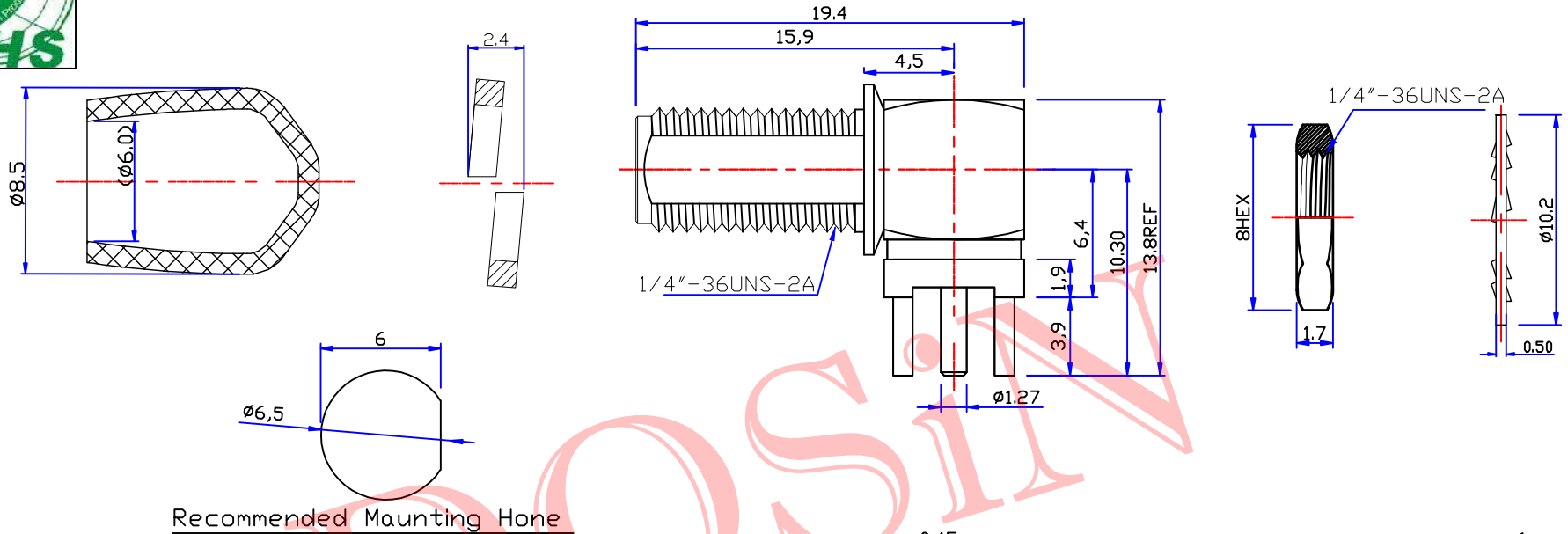




Customer NO: Danlaw-600-0008

REV	DESCRIPTION	DWN	DATE	APPROVEN
A	First issue	Mr. Wang	2015/10/07	John kine
B				



Recommended Mounting Hole

Recommended PCB Layout

Specifications:

IMPEDANCE: 50 Ohms

Frequency range: 0~6GHZ

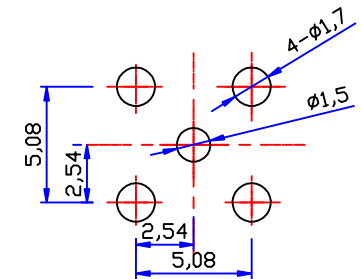
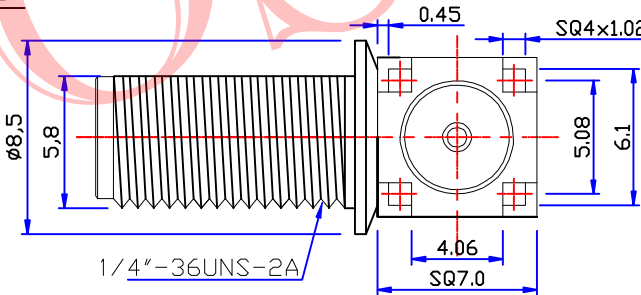
VSWR: 1.5MAX

Working voltage: 500V rms @ sea level

Insulation resistance: 5000 Ohms min

Temperature range: -55°C TO +155°C

Relative temperature: ≤95%(40° C±2° C)



1	Body	Brass	Au:lu
2	Insulator	TEFLON	White
3	Center contact	Phosphor	Au:3u
4	NUT	Brass	Au:lu
5	Washer	Steel	Au:lu
6	A bumper	The silicone	RED
7			
8			
9			
10			
NO	Component Number	Material	Finish

NOTE:	
DRAWN	Zelin.Zhang
CHECKED	
APPROVALS	John Kine

Tolerance	X ±0.15 X.X ±0.10 X.XX ±0.05 Angular ±5°
View	
UNIT	MM
SCALE	1:1

Dosin Industrial (HK) Co Ltd 东莞市德索五金电子制品有限公司 Dosin Hardware Electronics Co, Ltd		E-mail: dosin2005@163.com dosin2005@dosin-china.com Web: http://www.dosinconn.com TEL: (0086) 769-81153906 FAX: (0086) 769-81875836	
Name: SMA Jack Right angle PCB Mount			
SIZE A	Product NO.	REV A	
	DOSIN-806-0121		
DateTime	CAD FILE	SHEET: 1 OF 1	
2015/10/07	H/company drawings/BD		