



Product NO.		DOSIN-806-0010		
REV	DESCRIPTION	DWN	DATE	APPROVEN
A	First issue	Mr. Wang	2012/04/27	John kine
B				

## Specifications:

IMPEDANCE: 50 Ohms

Frequency range: 0~3GHZ

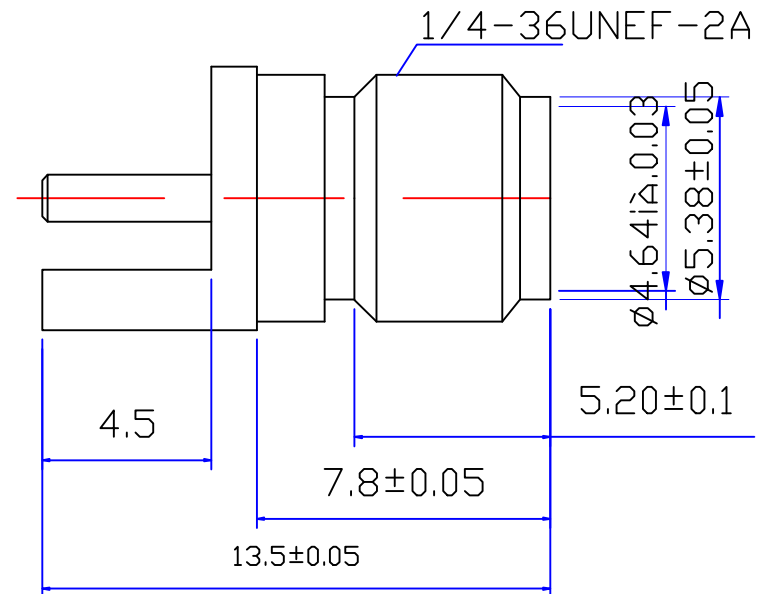
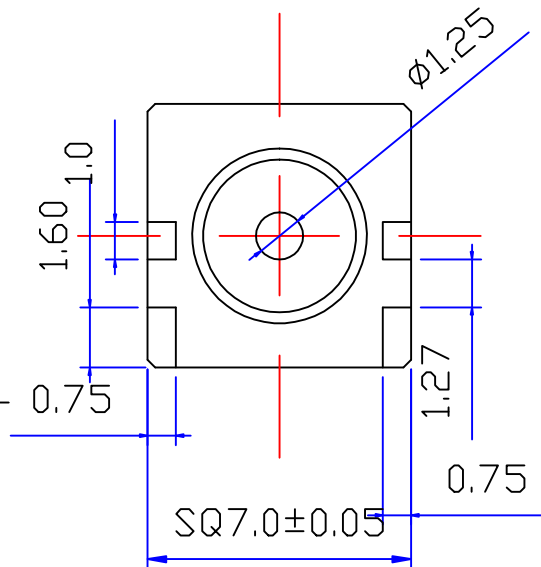
VSWR: 1.3MAX

Working voltage: 500V rms @ sea level

Insulation resistance: 5000 Ohms min

Temperature range: -65°C TO +165°C

Relative temperature: ≤95% (40° C ± 2° C)



1	Body	Brass	AU: 1-3u"	NOTE:	Tolerance	X	±0.15	<b>DOSIN</b> <small>BY CONNECTOR</small> <b>Dosin Industrial (H.K) Co. Ltd</b> <b>东莞市德索五金电子制品有限公司</b> <b>Dosin Hardware Electronics Co., Ltd</b>	R-mail: dosin2006@163.com
2	Insulator	TEFLON	None			X.X	±0.10		dosin2006@dosin-china.com
3	Center contact	Brass	AU: 5u"			X.XX	±0.05		Web: http://www.dosinconn.com
4				Angular	±5°	TEL: (0086) 769-81153906			
5						FAX: (0086) 769-81875836			
6				DRAWN	2012/04/27	View		Name:	SMA Jack PCB MOUNT
7				Zelin. Zhang		UNIT	MM	SIZE	Product NO.
8				CHECKED		SCALE	1:1	A	DOSIN-806-0010
9				APPROVALS		Date	Time	CAD FILE	REV
10	Component Number	Material	Finish	John Kine	27/04.2012	2012/04/27	2012/04/27	D/company drawings/BD	B
	A	B	C	D	E	F	G	SHEET: 1 OF 1	