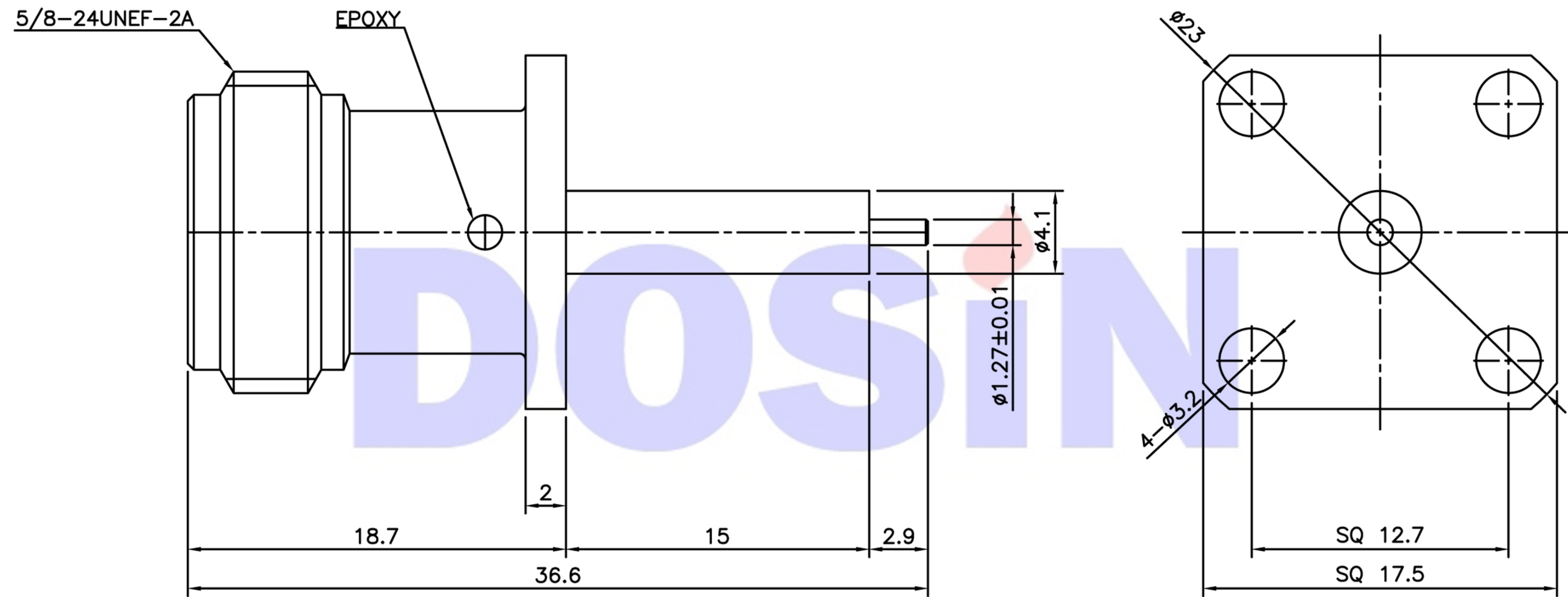




Product NO. DOSIN-805-1043				
REV	DESCRIPTION	DWN	DATE	APPROVEN
A	First issue	JIM	2017. 3. 10	John kine



FREQUENCY RANGE; DC~11GHz
V.S.W.R; 1.30:1 Max

Connector parts	Materials	Finish
Body	Brass	Nickel Plated
Center contact	Beryllium copper	Gold Plated
Insulator	Teflon	-

N-Type Panel-4H(17.5) JACK
Receptacle
(Center contact-Epoxy captivated)

NOTE:	Tolerance	0-6 ±0.05 6-30 ±0.10 30-120 ±0.20 Angular ±2°	Dosin Industrial(H.K)Co.Ltd 东莞市德索五金电子制品有限公司 Dosin Hardware Electronics Co.,Ltd E-mail:dosin2005@163.com dosin2005@dosin-china.com Web:http://www.dosinconn.com TEL:(0086)769-81153906 FAX:(0086)769-81875836
DRAWN Zelin. Zhang	2017. 3. 10	View	
CHECKED		UNIT	MM
APPROVALS John		SCALE	1:1
		DATE	2017. 3. 10
		CAD FILE	D/company drawings/BD
		SIZE	Product NO. DOSIN-805-1043
		REV	B
		SHEET: 1 OF 1	