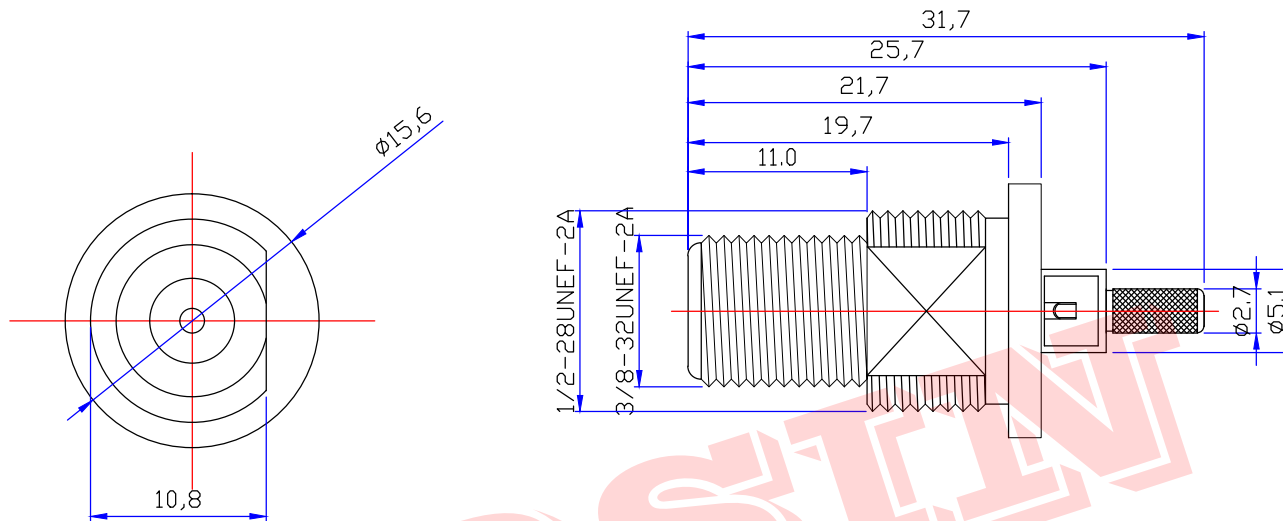


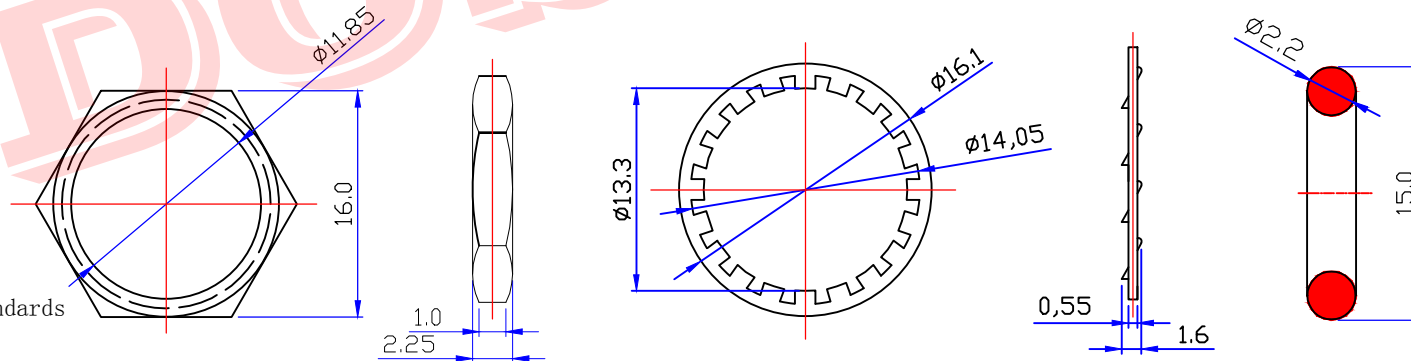


Product NO.		DOSIN-803-0333		
REV	DESCRIPTION	DWN	DATE	APPROVEN
A	First issue	Mr. CHEN	2016/12/20	John kine



### Specifications

Impedance: 75 Ohms  
 Frequency Range: DC~3G  
 VSWR: 1.3MAX  
 Working Voltage: 500V rms @ sea level  
 Insulation Resistance: 5000 Ohms min  
 Temperature Range: -65°C TO +165°C  
 Relative Temperature: ≤95%(40° C±2° C)  
 Drawings products are in line with ROHS standards



NOTE:		Tolerance	X. ±0.15 X.X ±0.10 X.XX ±0.05 Angular ±5°
DRAWN	2016/12/20	View	
Zelin. CHEN	20	UNIT	MM
CHECKED		SCALE	1:1
APPROVALS	20/12.2016	Date	2016/12/20
John Kine		CAD FILE	H/company drawings/BD

Dosin Industrial (HK) Co., Ltd 东莞市德索五金电子制品有限公司 Dosin Hardware Electronics Co., Ltd		E-mail: dosin2005@163.com dosin2005@dosin-china.com Web: http://www.dosinconn.com TEL: (0086) 769-81153906 FAX: (0086) 769-81875836	
Name: F JACK FOR RG174 CABLE		SIZE	REV
Product NO. DOSIN-803-0333		A	A
Date		SHEET: 1 OF 1	

6	CASKEF	RUBBER	RED	1
5	LOCK WASHER	BRASS	NICKEL	1
4	HEX NUT	BRASS	NICKEL	1
3	Insulator	TEFLON	White	1
2	PIN	BEASS	NICKEL	1
1	BODY	BRASS	NICKEL	1
NO	DESCRIPTION	MATERIAL	FINISH	QTY