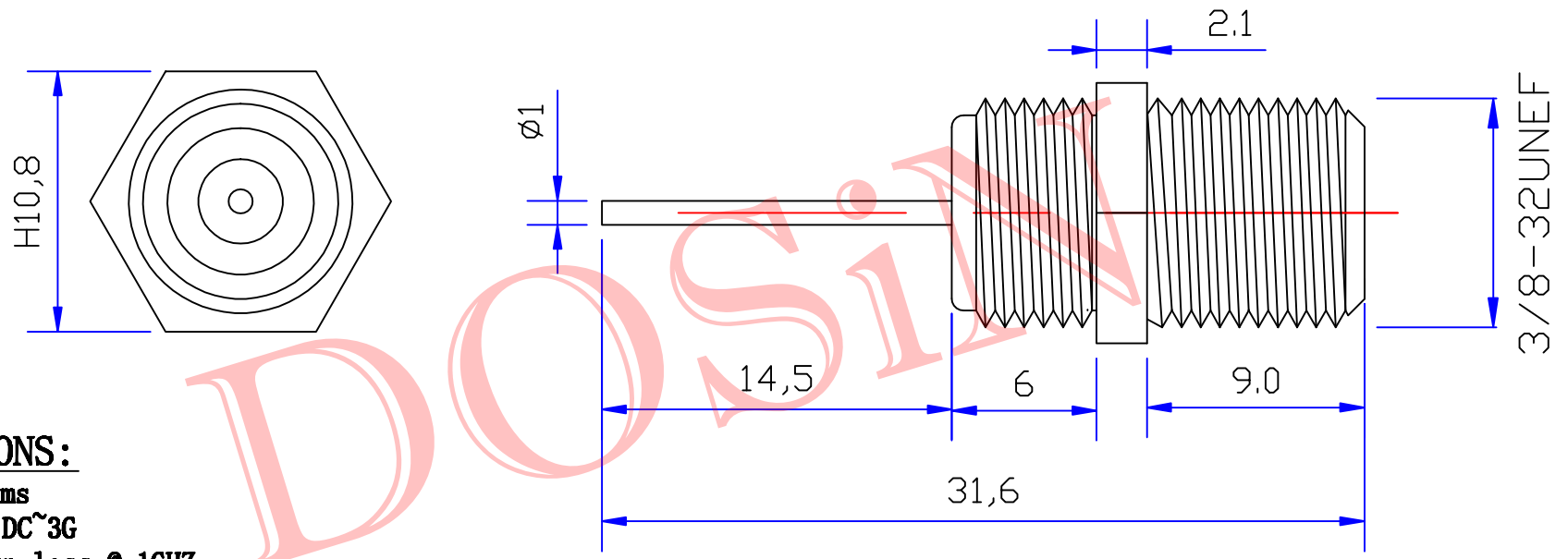




Product NO.		DOSIN-803-0169		
REV	DESCRIPTION	DWN	DATE	APPROVEN
A	First issue	Mr. Wang	2015/07/27	John kine
B				



SPECIFICATIONS:

Impedance: 75 Ohms
 Frequency Range:DC~3G
 VSWR:20DdB Return loss @ 1GHZ
 Working Voltage:15 watts continuous
 Insulation Resistance:5000 Ohms min
 Temperature Range:-40℃ TO +60℃
 Drawings products are in line with ROHS standards

1	Body	ZINC	NI:80-120u"	NOTE:	Tolerance	X	±0.15	Dosin Industrial (HK) Co. Ltd 东莞市德索五金电子制品有限公司 Dosin Hardware Electronics Co., Ltd	E-mail:dosin2006@163.com dosin2006@dosin-china.com Web:http://www.dosin.com TEL:(0086) 769-81153906 FAX:(0086) 769-81875836
2	Contact pin	Brass	TIN:80-120u"			X.X	±0.10		
3	Insulation	PP	None			X.XX	±0.05		
4						Angular	±5°	Name: F JACK	SIZE A Product NO. DOSIN-803-0169 REV A
5				DRAWN	View				
6				Zelin. Zhang					
7				CHECKED	UNIT	MM		DateTime	CAD FILE
8					SCALE	1:1		2015/07/27	H/company drawings/BD
9				APPROVALS					SHEET: 1 OF 1
10	Component Number	Material	Finish						