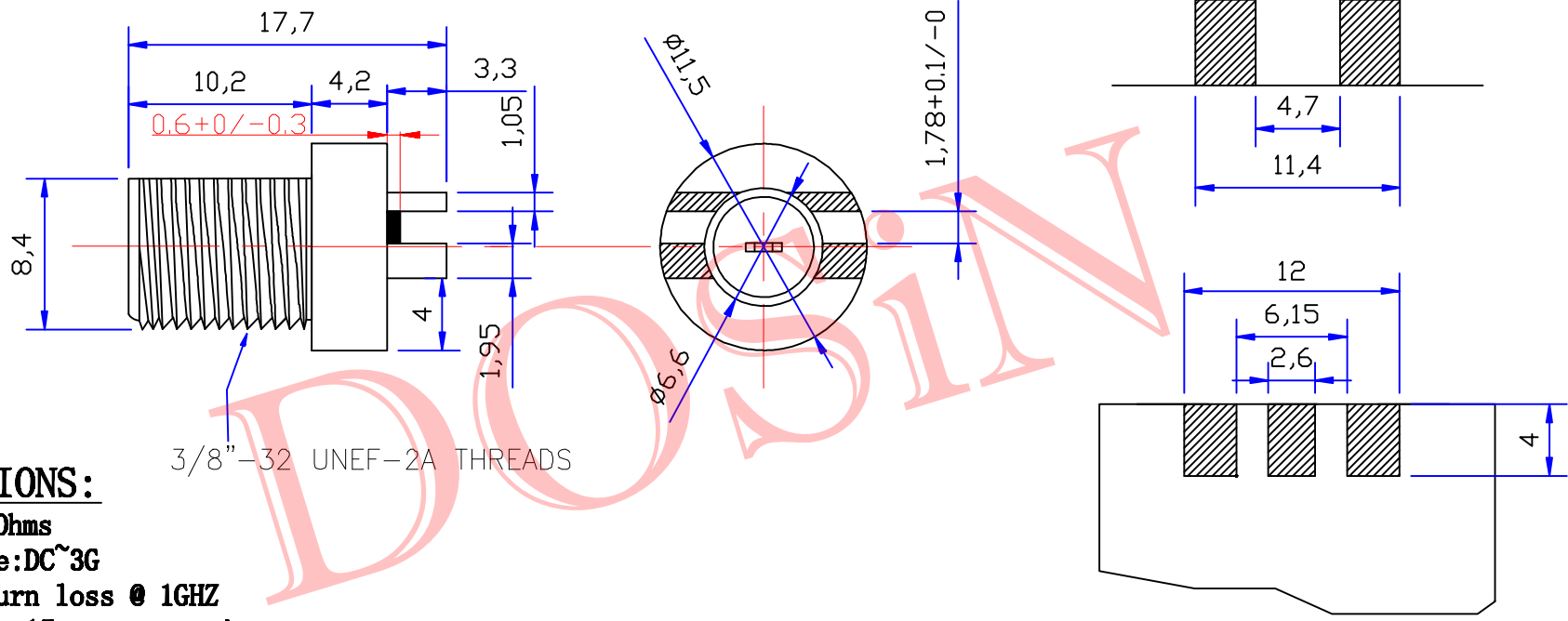




Product NO.		DOSIN-803-0131		
REV	DESCRIPTION	DWN	DATE	APPROVEN
A	First issue	Mr. Wang	2015/05/14	John kine
B	变更胶芯尺寸增加0.6突出的厚度	Mr. Wang	2015/06/08	John kine



SPECIFICATIONS:

- Impedance: 75 Ohms
- Frequency Range: DC~3G
- VSWR: 30dB Return loss @ 1GHZ
- Working Voltage: 15 watts continuous
- Insulation Resistance: 5000 Ohms min
- Temperature Range: -40°C TO +60°C
- Drawings products are in line with ROHS standards

RECOMMEND P.C.B LAYOUT

1	Body	BRASS	NI: 80-120u"	1	NOTE:	Tolerance	0-6	±0.15	Dosin Industrial (HK) Co. Ltd 东莞市德索五金电子制品有限公司 Dosin Hardware Electronics Co., Ltd	E-mail: dosin2006@163.com	
2	Contact pin	PHOSPHOR	TIN: 80-100u"	1			6-30	±0.30		dosin2006@dosin-china.com	
3	Insulation	PBT	WHITE	1			30-120	±0.50		Web: http://www.dosinconn.com	
4						Angular	±5°	TEL: (0086) 769-81153906			
5								FAX: (0086) 769-81875836			
6					DRAWN	View		Name: F Jack Connector			
7					Zelin. Zhang			UNIT	MM	SIZE	Product NO.
8					CHECKED	SCALE	1:1	A	DOSIN-803-0131	B	
9					APPROVALS	DateTime	2015/06/08	CAD FILE		SHEET: 1 OF 1	
10	Component Number	Material	Finish	QTY		H/company drawings/BD					