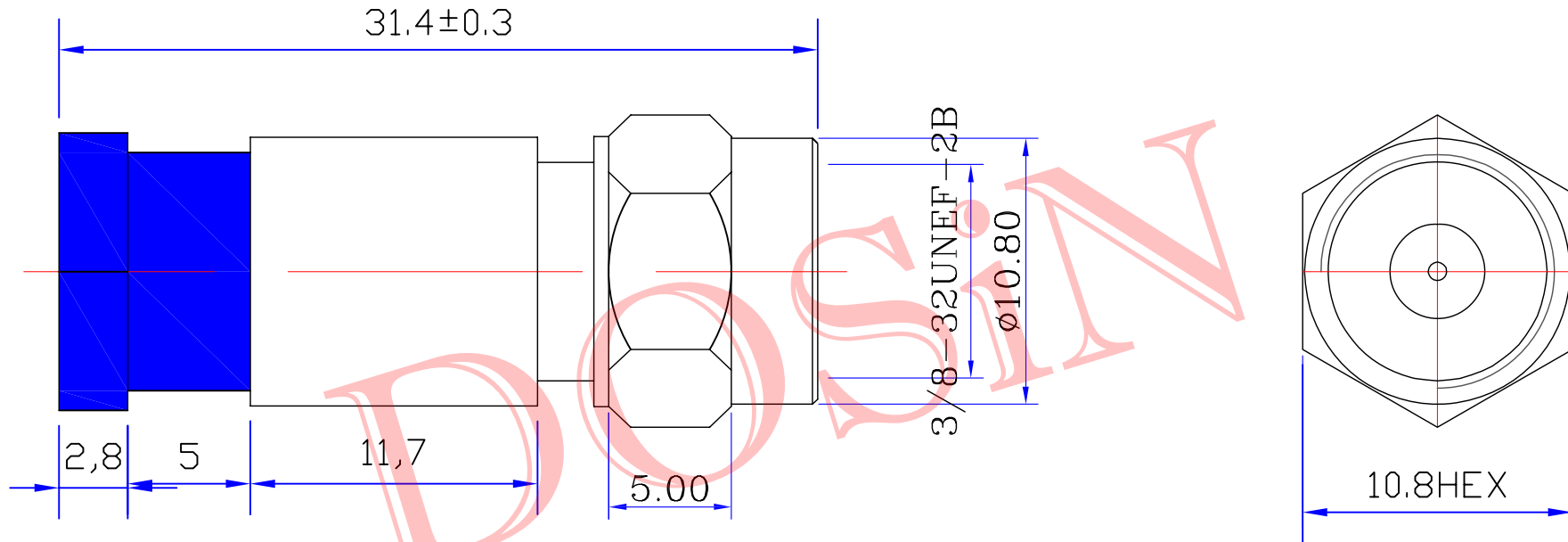




Product NO.		DOSIN-803-0050		
REV	DESCRIPTION	DWN	DATE	APPROVEN
A	First issue	JIM	2012/11/02	John kine



NOTE:

DRAWN	2012/11/10
Zelin. Zhang	
CHECKED	
APPROVALS	12/04.2012
John Kine	

Tolerance	0-6 ±0.15 6-30 ±0.20 30-120 ±0.5 Angular ±2°
View	
UNIT	MM
SCALE	1:1

Dosin Industrial(H.K)Co.Ltd 东莞市德索五金电子制品有限公司 Dosin Hardware Electronics Co.,Ltd		E-mail: dosin2005@163.com dosin2005@dosin-china.com Web: http://www.dosinconn.com TEL: (0086)769-81153906 FAX: (0086)769-81875836	
Name:		F CONNECTOR	
SIZE A	Product NO.	REV B	
	DOSIN-803-0050		
DateTime	CAD FILE	SHEET: 1 OF 1	
2012/11/02	D/company drawings/BD		

5				
4				
3				
2				
1	BODY	BRASS	NICKEL	1
NO	DESCRIPTION	MATERIAL	FINISH	QTY