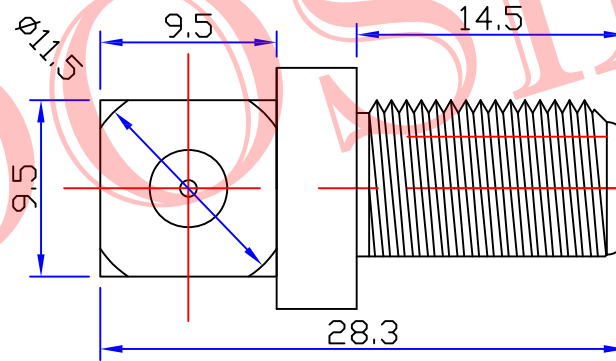
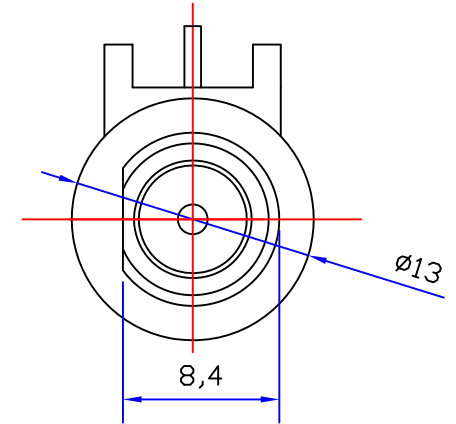
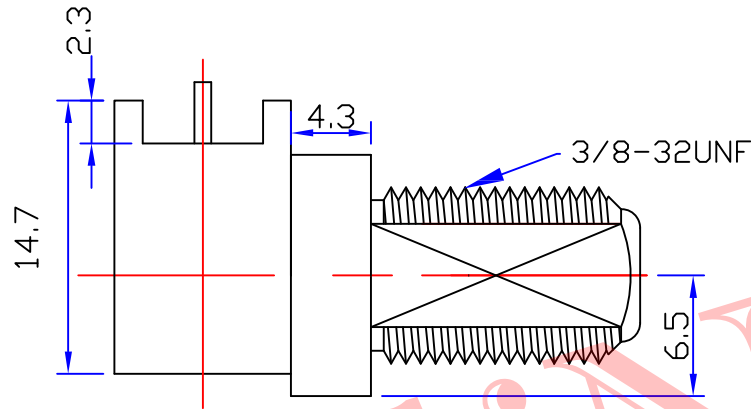
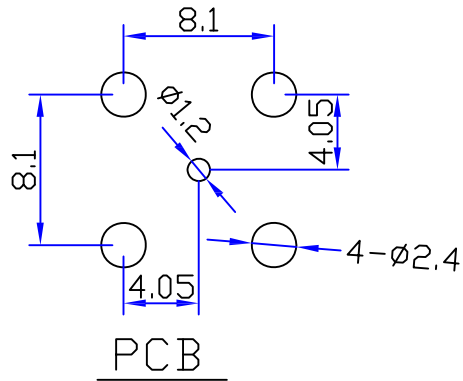


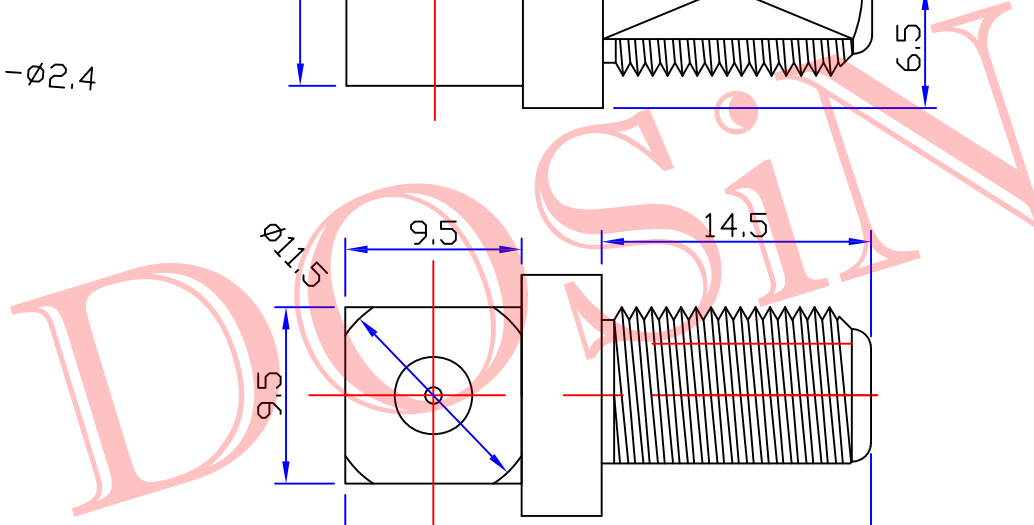


Product NO.		DOSIN-803-0045		
REV	DESCRIPTION	DWN	DATE	APPROVEN
A	First issue	Mr. Wang	2009/08/07	John kine



**SPECIFICATIONS:**

Impedance: 75 Ohms  
 Frequency Range: DC~3G  
 VSWR: 30dB Return loss @ 1GHZ  
 Working Voltage: 15 watts continuous  
 Insulation Resistance: 5000 Ohms min  
 Temperature Range: -40°C TO +60°C  
 Drawings products are in line with ROHS standards



1	Body	Brass	NI:80-120u"
2	Insulator	PP	White
3	Center contact	Phosphor	SN
4			
5			
6			
7			
8			
9			
10			
NO	Component Number	Material	Finish

NOTE:		Tolerance	X.	±0.15
			X.X	±0.10
DRAWN		View	X.XX	±0.05
Zelin. Zhang			Angular	±5°
2012/05/06		UNIT	MM	
CHECKED				
APPROVALS		SCALE	1:1	
John				
06/05.2012				

<b>Dosin Industrial (HK) Co. Ltd</b> 东莞市德索五金电子制品有限公司 <b>Dosin Hardware Electronics Co., Ltd</b>		E-mail: dosin2005@163.com dosin2005@dosin-china.com Web: http://www.dosinconn.com TEL: (0086) 769-81153906 FAX: (0086) 769-81875836	
Name: F Jack Connector			
SIZE	Product NO.	REV	
A	DOSIN-803-0045	A	
DateTime	CAD FILE	SHEET: 1 OF 1	
2012/05/06	H/company drawings/BD		