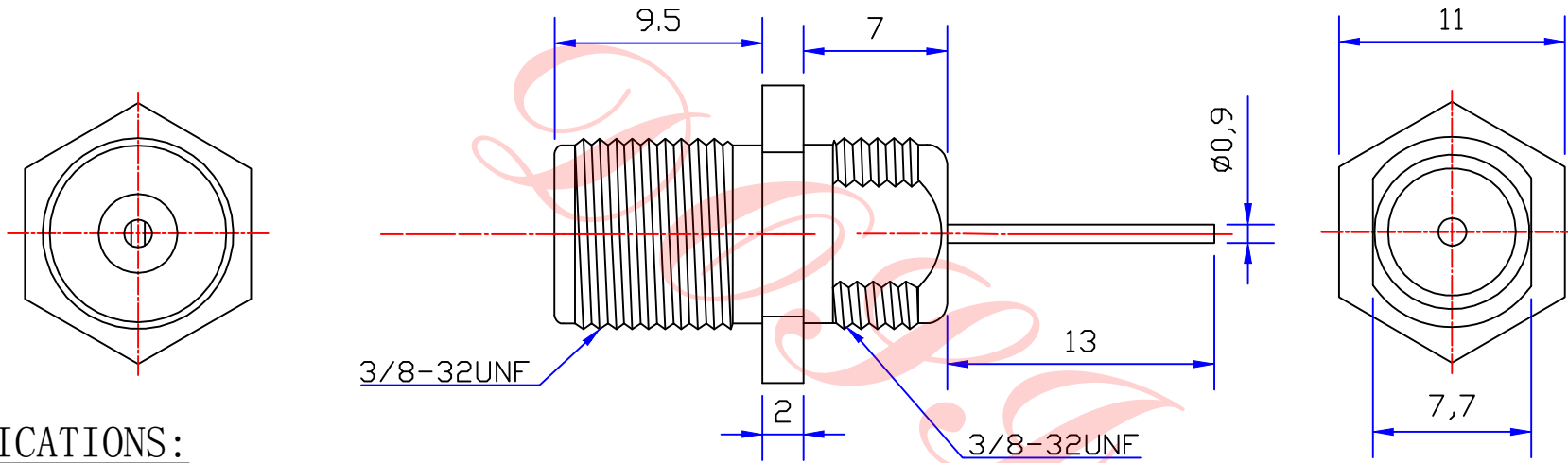




Product NO.		DOSIN-803-0034		
REV	DESCRIPTION	DWN	DATE	APPROVEN
A	First issue	JIM	2015/03/20	John kine



**SPECIFICATIONS:**

- Impedance: 75 Ohms
- Frequency Range: DC~3G
- VSWR: 30dB Return loss @ 1GHZ
- Working Voltage: 15 watts continuous
- Insulation Resistance: 5000 Ohms min
- Temperature Range: -40°C TO +60°C
- Drawings products are in line with ROHS standards

1	BODY	Brass	NI :80-120"	1
2	CONTACT	Brass	NI :80-120"	1
3	Insulator	POM	-----	1
4				
5				
6				
7				
8				
9				
10				
NO	Component Number	Material	Finish	QTY

NOTE:	
DRAWN	Zelin. Zhang
CHECKED	
APPROVALS	

Tolerance	0-6 ±0.2 6-30 ±0.3 30-120 ±0.5 Angular ±2°
View	
UNIT	MM
SCALE	1:1
<b>Dosin Industrial(H.K)Co.Ltd</b> 东莞市德索五金电子制品有限公司 <b>Dosin Hardware Electronics Co.,Ltd</b>	
E-mail: dosin2005@163.com dosin2005@dosin-china.com Web: http://www.china-guan.com TEL: (0086) 769-81153906 FAX: (0086) 769-81875836	
Name: F Jack to F jack	
SIZE A	Product NO. UNION-803-0034
DateTime 2012/04/10	CAD FILE D/company drawings/BD
SHEET: 1 OF 1	