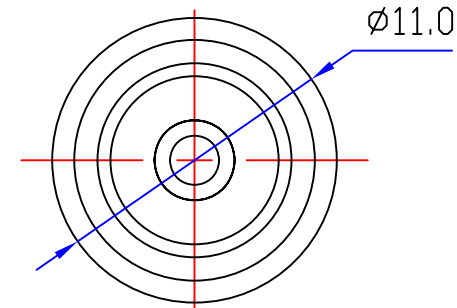
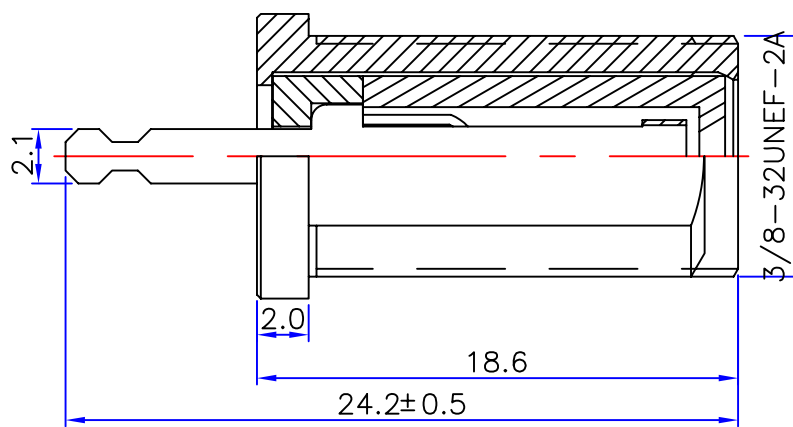




Product NO.		DOSIN-803-0032		
REV	DESCRIPTION	DWN	DATE	APPROVEN
A	First issue	Mr. Wang	2009/08/07	John kine
B				



SPECIFICATIONS:

Impedance: 75 Ohms
 Frequency Range: DC~3G
 VSWR: 30dB Return loss @ 1GHZ
 Working Voltage: 15 watts continuous
 Insulation Resistance: 5000 Ohms min
 Temperature Range: -40°C TO +60°C
 Drawings products are in line with ROHS standards

1	Body	Brass	Au
2	Insulator	PP	None
3	Center contact	Phosphor	Au
4			
5			
6			
7			
8			
9			
10			
NO	Component Number	Material	Finish

NOTE:
 DRAWN: Zelin. Zhang 2012/05/06
 CHECKED:
 APPROVALS: John Kine 06/05.2012

Tolerance	X. ±0.15 X.X ±0.10 X.XX ±0.05 Angular ±5°
View	
UNIT	MM
SCALE	1:1

DOSIN -RF CONNECTOR **Dosin Industrial (H.K) Co. Ltd**
 东莞市德索五金电子制品有限公司
Dosin Hardware Electronics Co., Ltd

E-mail: dosin2005@163.com
 dosin2005@dosin-china.com
 Web: http://www.dosinconn.com
 TEL: (0086) 769-81153906
 FAX: (0086) 769-81875836

Name: F Jack Straight PCB Mount

SIZE A	Product NO. DOSIN-803-0032	REV B
DateTime 2012/05/06	CAD FILE H/company drawings/BD	SHEET: 1 OF 1