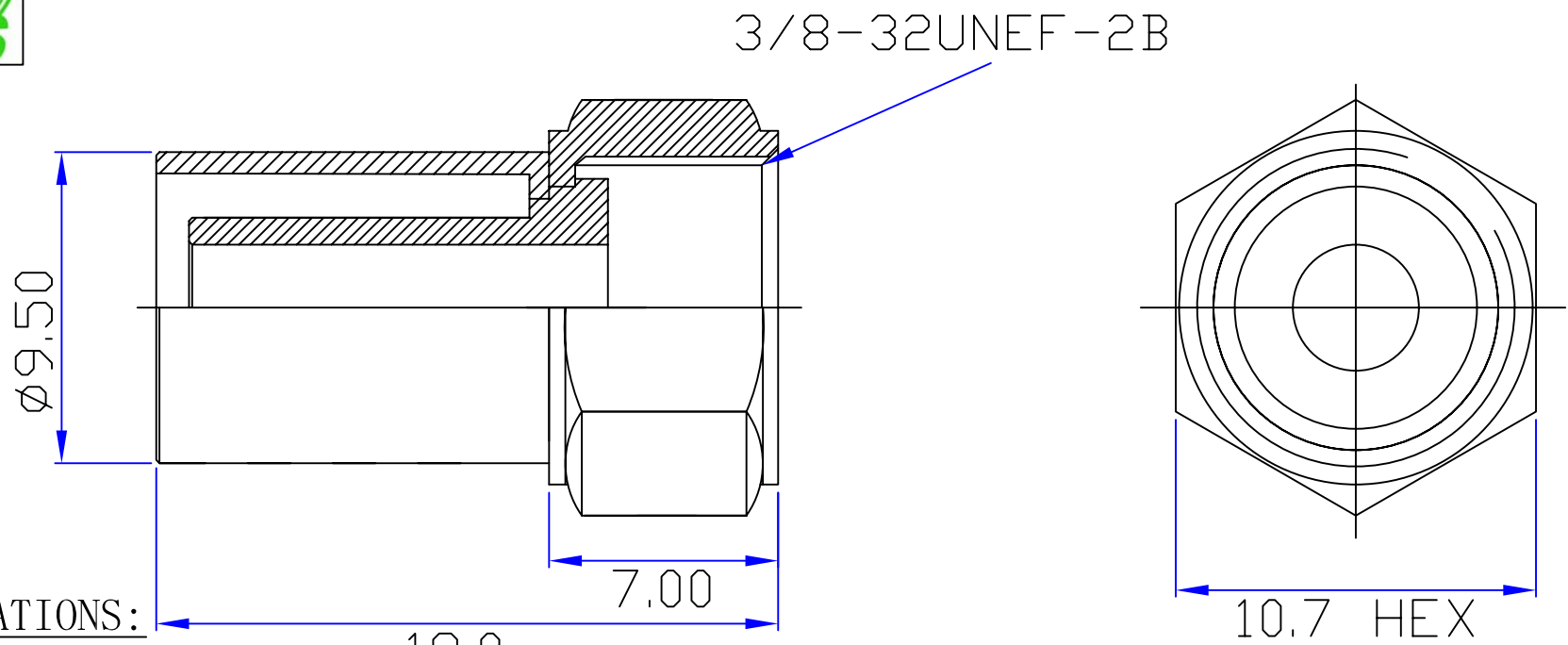




Product NO.		DOSIN-803-0013		
REV	DESCRIPTION	DWN	DATE	APPROVEN
A	First issue	Mr. Wang	2010/08/07	John kine
B				



**SPECIFICATIONS:**

Impedance: 75 Ohms  
 Frequency Range: DC~3G  
 VSWR: 30dB Return loss @ 1GHZ  
 Working Voltage: 15 watts continuous  
 Insulation Resistance: 5000 Ohms min  
 Temperature Range: -40°C TO +60°C  
 Drawings products are in line with ROHS standards

1	Shell	Zinc	NI:80-120u"
2	Body	Zinc	NI:80-120u"
3			
4			
5			
6			
7			
8			
9			
10			
NO	Component Number	Material	Finish

NOTE:  
 DRAWN 2012/09/30  
 Zelin. Zhang  
 CHECKED  
 APPROVALS  
 John Kine 30/09.2012

Tolerance	X. ±0.15 X.X ±0.10 X.XX ±0.05 Angular ±5°
View	
UNIT	MM
SCALE	1:1

**DOSIN** -RF CONNECTOR *Dosin Industrial (H.K) Co. Ltd*  
 东莞市德索五金电子制品有限公司  
*Dosin Hardware Electronics Co., Ltd*  
 E-mail: dosin2005@163.com  
 dosin2005@dosin-china.com  
 Web: http://www.dosinconn.com  
 TEL: (0086) 769-81153906  
 FAX: (0086) 769-81875836

Name: F Plug Stright For RG/6

SIZE A	Product NO. DOSIN-803-0013	REV B
DateTime 2012/09/30	CAD FILE H/company drawings/BD	SHEET: 1 OF 1