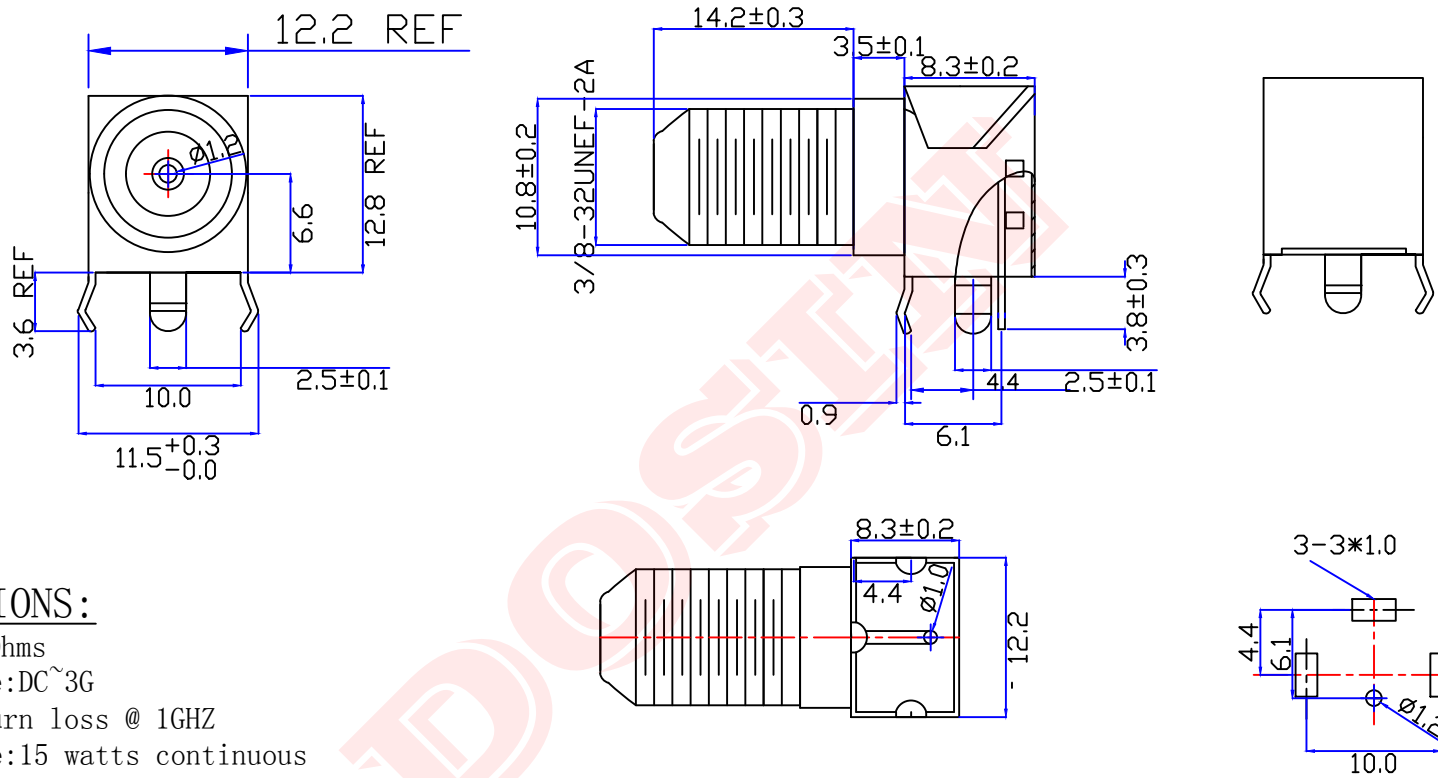




Product NO.		DOSIN-803-0010		
REV	DESCRIPTION	DWN	DATE	APPROVEN
A	First issue	Mr. CHEN	2019/04/11	John kine
B				



SPECIFICATIONS:

Impedance: 75 Ohms
 Frequency Range: DC~3G
 VSWR: 30dB Return loss @ 1GHZ
 Working Voltage: 15 watts continuous
 Insulation Resistance: 5000 Ohms min
 Temperature Range: -40°C TO +60°C
 Drawings products are in line with ROHS standards

1	Body	Brass	NI:80-120u"	NOTE:	Tolerance	X	±0.15	Dosin Industrial (HK) Co., Ltd 东莞市德索五金电子制品有限公司 Dosin Hardware Electronics Co., Ltd	E-mail: dosin2005@163.com	
2	Insulator	Pom	White			X.X	±0.10		dosin2005@dosin-china.com	
3	Center contact	Phosphor	Sn			X.XX	±0.05		Web: http://www.dosinconn.com	
4						Angular	±5°		TEL: (0086) 769-81153906	
5							FAX: (0086) 769-81875836			
6				DRAWN	View		Name: F Jack Right angle PCB Mount			
7				Zelin.chen			UNIT	MM	SIZE A	Product NO.
8				CHECKED			SCALE	1:1	DateTime	2019/04/11
9				APPROVALS			CAD FILE	H/company drawings/BD	SHEET: 1 OF 1	
10	Component Number	Material	Finish	John						