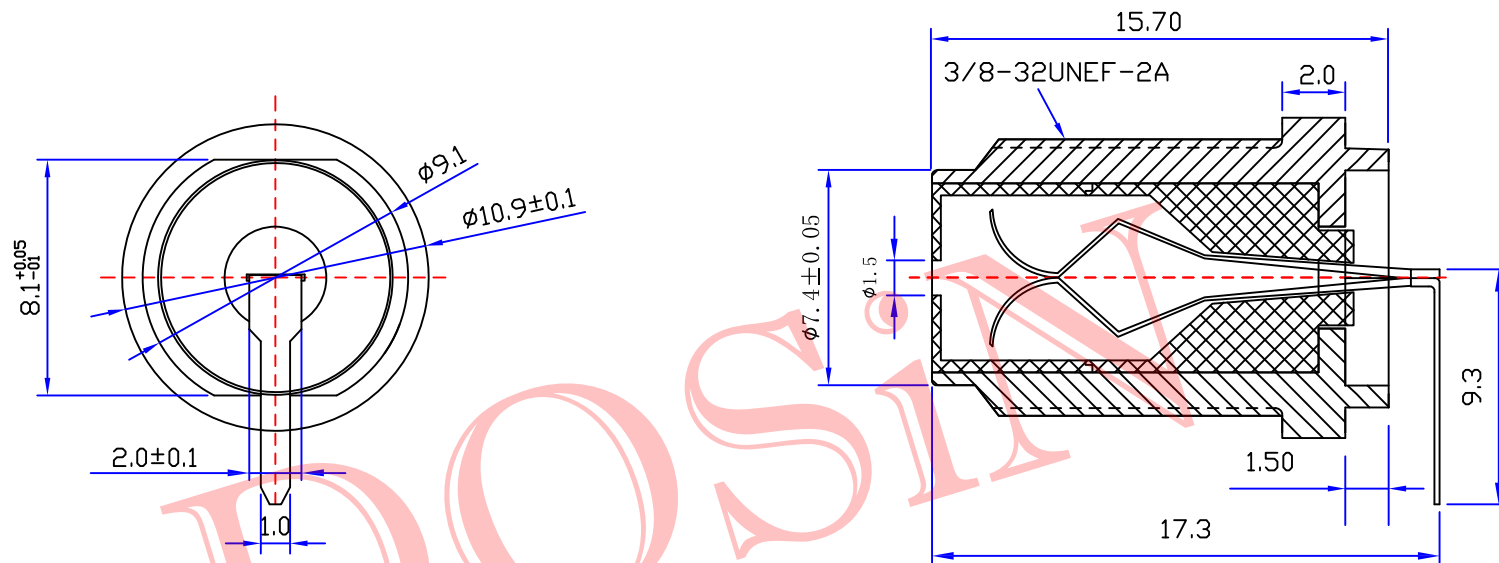




Product NO.		DOSIN-803-0008		
REV	DESCRIPTION	DWN	DATE	APPROVEN
A	First issue	Mr. Wang	2009/08/07	John kine
B	φ10.5 to φ10.9±0.1	JIM	2014/02/19	John kine



SPECIFICATIONS:

Impedance: 75 Ohms
 Frequency Range: DC~3G
 VSWR: 30dB Return loss @ 1GHZ
 Working Voltage: 15 watts continuous
 Insulation Resistance: 5000 Ohms min
 Temperature Range: -40°C TO +60°C
 Drawings products are in line with ROHS standards

1	Body	Brass	NI:80-120u"	NOTE:	Tolerance	X.	±0.15	Dosin Industrial (H.K) Co. Ltd 东莞市德索五金电子制品有限公司 Dosin Hardware Electronics Co., Ltd	E-mail: dosin2005@163.com				
2	Insulator	PP	White			X.X	±0.10		dosin2005@dosin-china.com				
3	Center contact	Phosphor	SN			X.XX	±0.05		Web: http://www.dosinconn.com				
4					Angular	±5°	TEL: (0086) 769-81153906	FAX: (0086) 769-81875836					
5				DRAWN	2012/05/06		Name: F Jack Right angle PCB Mount						
6				Zelin. Zhang		View	UNIT	MM	SIZE A	Product NO.	DOSIN-803-0008	REV B	
7				CHECKED			SCALE	1:1	DateTime	2012/05/06	CAD FILE	H/company drawings/BD	SHEET: 1 OF 1
10	Component Number	Material	Finish	APPROVALS	John	06/05.2012							