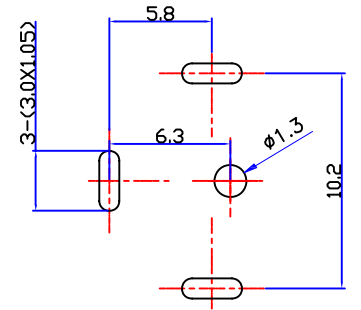
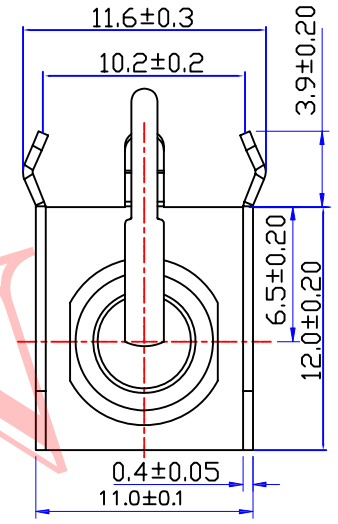
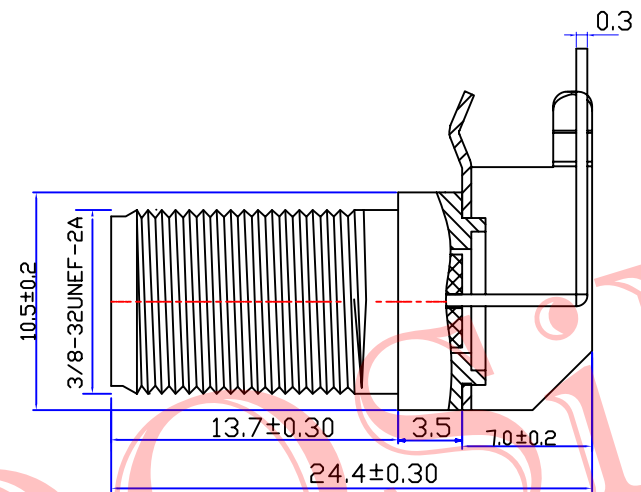
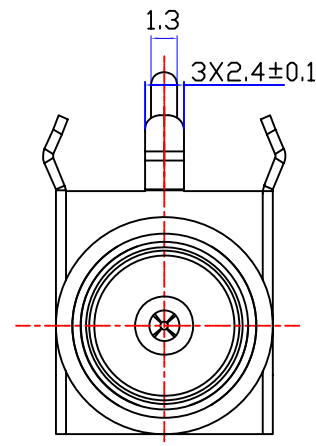




Product NO.		DOSIN-803-0007		
REV	DESCRIPTION	DWN	DATE	APPROVEN
A	First issue	JIM	2010/02/03	John kine



Recommended P.C.B. Layoue

**Specification:**  
 VSWR: 1.3MAX  
 Frequency range: DC~3G  
 Working Voltage: 500V rms @ sea level  
 Insulation resistance: 5000 Ohms min  
 Temperature range: -55°C TO +155°C  
 Relative temperature: ≤95% (40° C±2° C)  
 Drawings products are in line with ROHS standards.

1	BODY-00001-NI-0	Brass	NICKEL	1	NOTE:
2	PIN-00001-0	Brass	Tin plating	1	
3	Insulator-00001-0	PP	----	1	
4	Fixed foot	Iron plates	NICKEL	1	
5					DRAWN
6					Zelin. Zhang
7					2012/04/10
8					10
9					CHECKED
10					APPROVALS
NO	Component Number	Material	Finish	QTY	John Kine
					12/04.2012

Tolerance	0-6 ±0.2 6-30 ±0.3 30-120 ±0.5 Angular ±2°
View	
UNIT	MM
SCALE	1:1

Dosing Industrial(H.K)Co.Ltd 东莞市德索五金电子制品有限公司 Dosing Hardware Electronics Co.,Ltd		E-mail: dosin2005@163.com dosin2005@dosin-china.com Web: http://www.china-guan.com TEL: (0086)769-81153906 FAX: (0086)769-81875836
Name: F CONNECTOR		REV B
SIZE A	Product NO. DOSIN-803-0007	REV B
DateTime 2012/04/10	CAD FILE D/company drawings/BD	SHEET: 1 OF 1