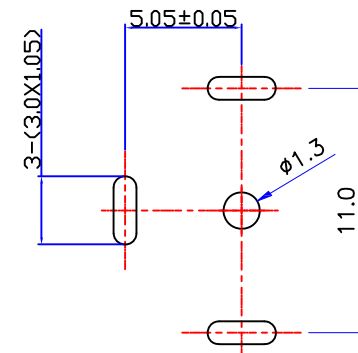
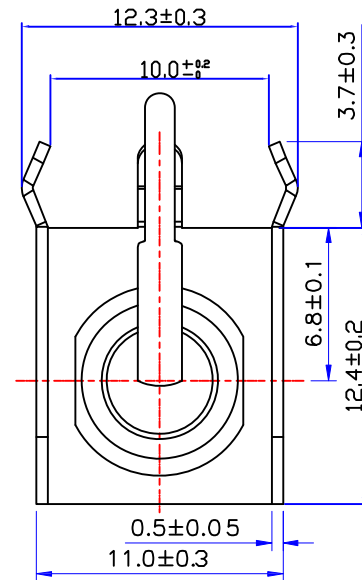
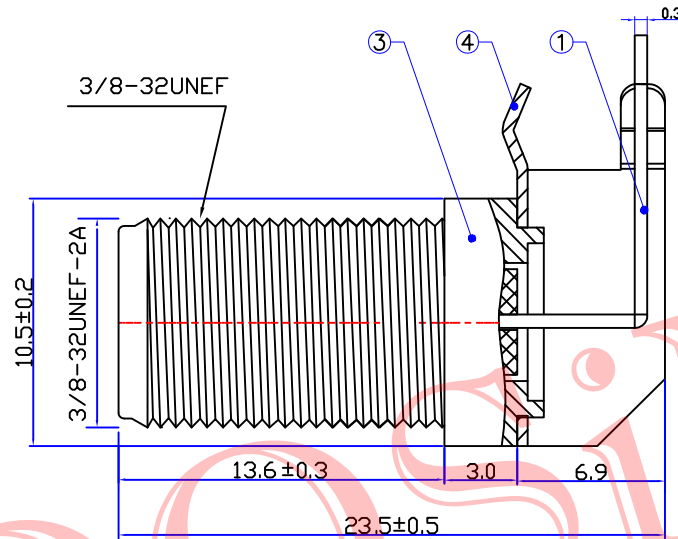
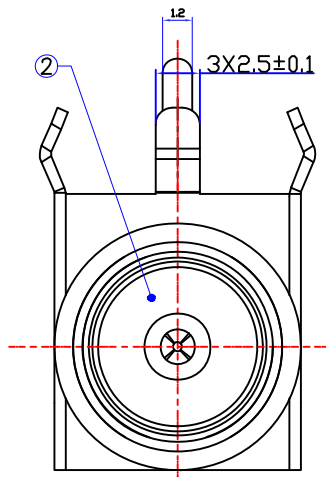




Product NO.		DOSIN-803-0006		
REV	DESCRIPTION	DWN	DATE	APPROVEN
A	First issue	JIM	2015/03/20	John kine



Specification:

VSWR:1.3MAX
 Frequency range:DC~3G
 Working Voltage:500V rms @ sea level
 Insulation resistance:5000 Ohms min
 Temperature range:-55°C TO +155°C
 Relative temperature:≤95%(40° C±2° C)
 Drawings products are in line with ROHS standards.

Recommended P.C.B. Layou

1	BODY	Zinc	NICKEL	1	NOTE:
2	CONTACT	Brass	Tin plating	1	
3	Insulator	POM	----	2	
4	Nut	Brass	Tin plating	1	
5					DRAWN
6					Zelin. Zhang
7					CHECKED
8					
9					
10					APPROVALS
NO	Component Number	Material	Finish	QTY	

Tolerance	0-6	±0.2
	6-30	±0.3
View	30-120	±0.5
	Angular	±2°
UNIT	MM	
SCALE	1:1	

Dosin Industrial(H.K)Co.Ltd 东莞市德索五金电子制品有限公司 Dosin Hardware Electronics Co.,Ltd		E-mail:dosin2005@163.com dosin2005@dosin-china.com Web:http://www.china-guan.com TEL:(0086)769-81153906 FAX:(0086)769-81875836
Name: F JACK PCB CONNECTOR		
SIZE A	Product NO. UNION-803-0006	REV A
DateTime 2012/04/10	CAD FILE D/company drawings/BD	SHEET: 1 OF 1