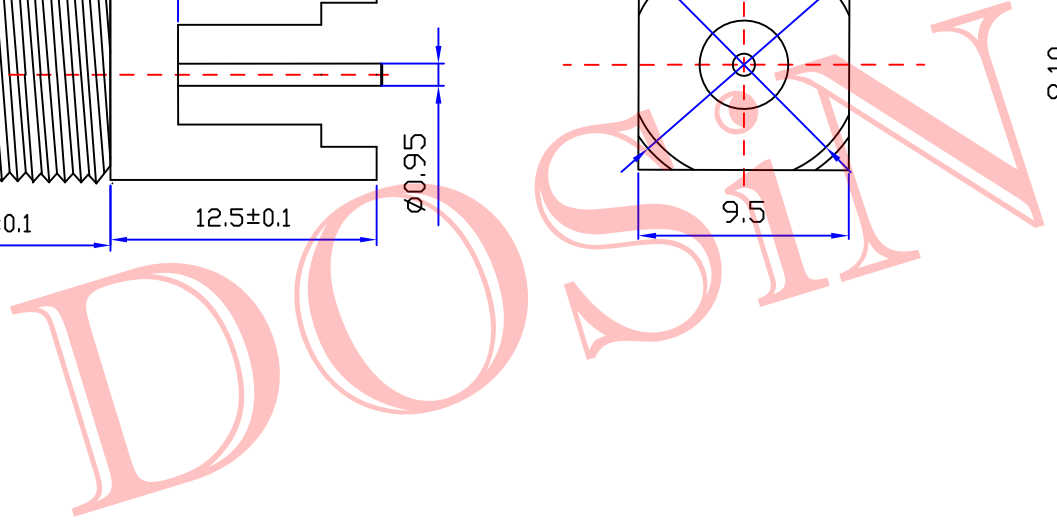
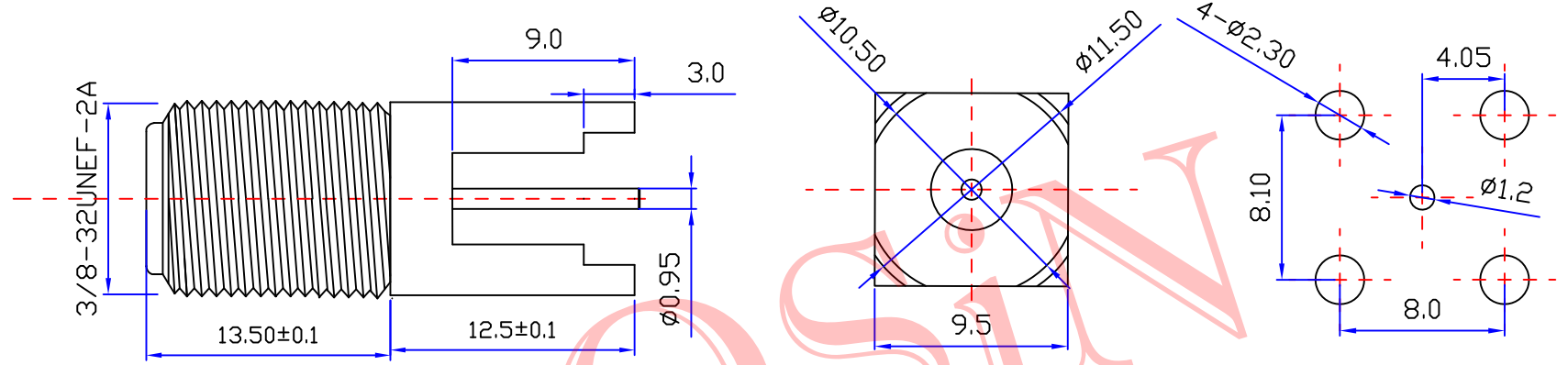




Product NO.		DOSIN-803-0005 (26mm)		
REV	DESCRIPTION	DWN	DATE	APPROVEN
A	First issue	Mr. Wang	2015/04/09	John kine
B				



SPECIFICATIONS:

Impedance: 75 Ohms
 Frequency Range: DC~3G
 VSWR: 30dB Return loss @ 1GHZ
 Working Voltage: 15 watts continuous
 Insulation Resistance: 5000 Ohms min
 Temperature Range: -40°C TO +60°C
 Drawings products are in line with ROHS standards

1	Body	BARSS	NI: 80-120u"	NOTE:	Tolerance	X.	± 0.15	Dosin Industrial (H K) Co. Ltd 东莞市德索五金电子制品有限公司 Dosin Hardware Electronics Co., Ltd	E-mail: dosin2005@163.com
2	Insulator	POM	White			X.X	± 0.10		dosin2005@dosin-china.com
3	Center contact	Phosphor	TIN			X.XX	± 0.05		Web: http://www.dosinconn.com
4					Angular	$\pm 5^\circ$		TEL: (0086) 769-81153906	
5				DRAWN				FAX: (0086) 769-81875836	
6				Zelin. Zhang	View		Name: F Jack straight PCB Mount		
7				CHECKED	UNIT	MM	SIZE	Product NO.	
8					SCALE	1:1	A	DOSIN-803-0005 (26mm)	
9				APPROVALS	DateTime	2015/04/09	CAD FILE	H/company drawings/BD	
10	Component Number	Material	Finish					SHEET: 1 OF 1	