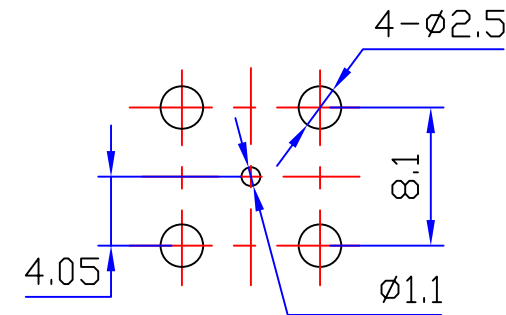
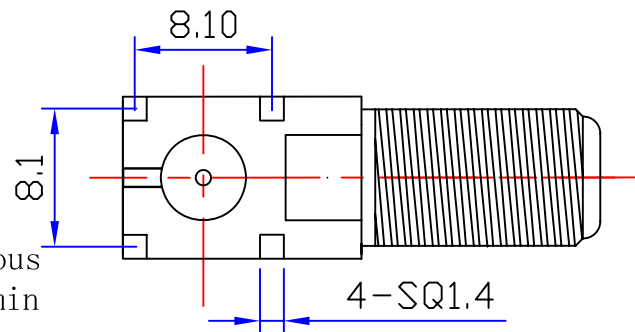
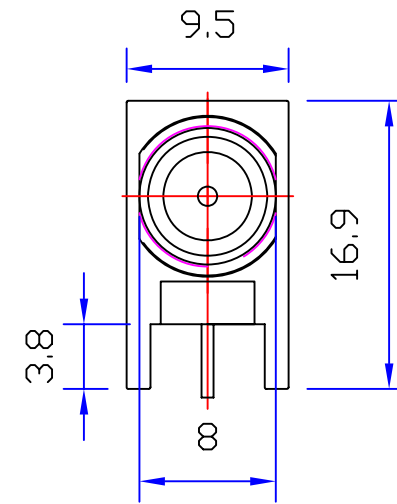
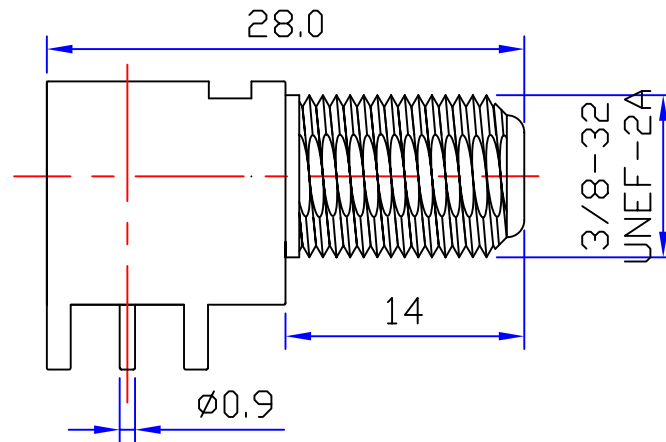




| | | | | |
|-------------|---------------------|----------------|------------|-----------|
| Product NO. | | DOSIN-803-0004 | | |
| REV | DESCRIPTION | DWN | DATE | APPROVEN |
| A | First issue | Mr. Wang | 2009/08/07 | John kine |
| B | Add :DOSIN-803-0004 | Zelin. Zhang | 2012/05/06 | John kine |



SPECIFICATIONS:

- Impedance: 75 Ohms
- Frequency Range: DC~3G
- VSWR: 30dB Return loss @ 1GHZ
- Working Voltage: 15 watts continuous
- Insulation Resistance: 5000 Ohms min
- Temperature Range: -40°C TO +60°C
- Drawings products are in line with ROHS standards

| | | | |
|----|------------------|----------|-------------|
| 1 | Body | Brass | NI:80-120u" |
| 2 | Insulator | PP | White |
| 3 | Center contact | Phosphor | SN |
| 4 | | | |
| 5 | | | |
| 6 | | | |
| 7 | | | |
| 8 | | | |
| 9 | | | |
| 10 | | | |
| NO | Component Number | Material | Finish |

| | | | | |
|--------------|------------|----------------------|---------|-------|
| NOTE: | | Tolerance | X. | ±0.15 |
| | | | X.X | ±0.10 |
| | | View | X.XX | ±0.05 |
| | | | Angular | ±5° |
| DRAWN | 2012/05/06 | UNIT | MM | |
| Zelin. Zhang | 06 | | SCALE | 1:1 |
| CHECKED | | APPROVALS | | |
| | | John Kine 06/05.2012 | | |

DOSIN RF CONNECTOR **Dosin Industrial (H K) Co. Ltd**
 东莞市德索五金电子制品有限公司
Dosin Hardware Electronics Co., Ltd

E-mail: dosin2005@163.com
 dosin2005@dosin-china.com
 Web: http://www.dosinconn.com
 TEL: (0086) 769-81153906
 FAX: (0086) 769-81875836

Name: F Jack Right angle PCB Mount

| | | |
|------------|-----------------------|---------------|
| SIZE A | Product NO. | REV B |
| | DOSIN-803-0004 | |
| DateTime | CAD FILE | SHEET: 1 OF 1 |
| 2012/05/06 | H/company drawings/BD | |