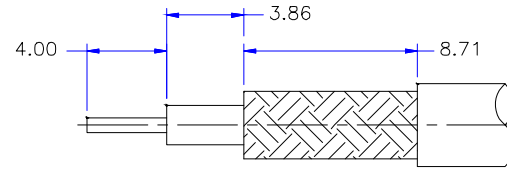


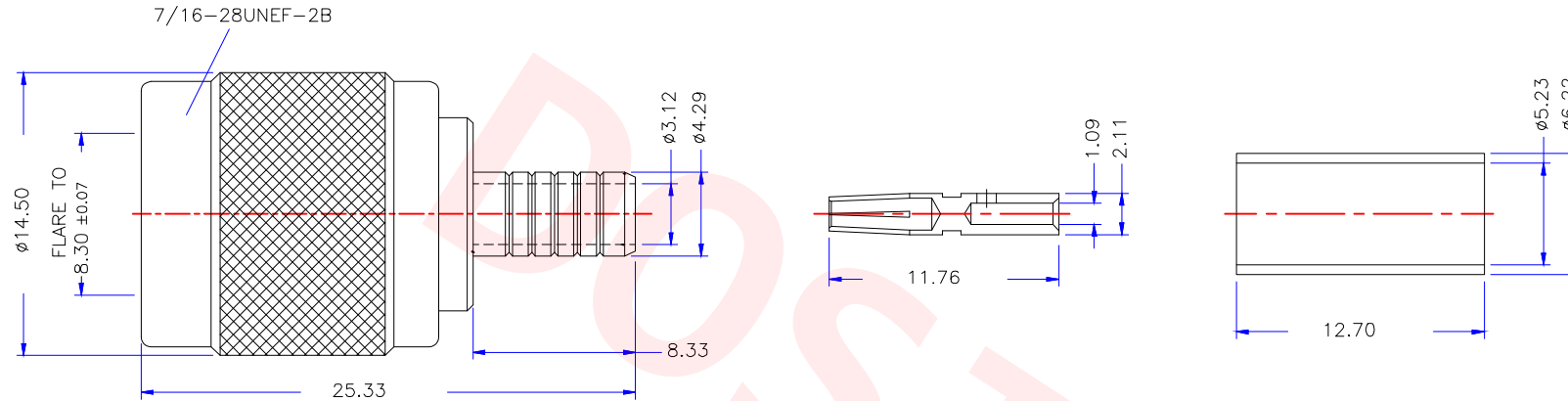


Autodesk

Product NO.		DOSIN-802-0003		
REV	DESCRIPTION	DWN	DATE	APPROVEN
	First issue	Mr. CHEN	2017/04/27	John kine



RECOMMENDED  
CABLE STRIPPING DIMS.



**Specifications:**

- IMPEDANCE: 50 Ohms
- Frequency range: 0~6GHZ
- VSWR: 1.5MAX
- Working voltage: 500V rms @ sea level
- Insulation resistance: 5000 Ohms min
- Temperature range: -55°C TO +155°C
- Relative temperature: ≤95% (40° C ± 2° C)

NOTE:

1. CRIMPED FERRULE HEX CRIMP SIZE .213"
2. CRIMPED CONTACT PIN HEX CRIMP SIZE .068"

C	INSULATOR	TEFLON	NONE	1
B	CONTACT PLATING	BRASS	GOLD	1
A	BODY	BRASS	NICKEL	1
NO	DESCRIPTION	MATERIAL	FINISHED	QTY

NOTE:	Tolerance	X. ±0.15 X.X ±0.10 X.XX ±0.05 Angular ±5°
DRAWN Zelin. CHEN	View	
CHECKED	UNIT	MM
APPROVALS John	SCALE	1:1

**DOSIN** *Dosin Industrial (H.K) Co. Ltd*  
 东莞市德索五金电子制品有限公司  
*Dosin Hardware Electronics Co., Ltd*

E-mail: dosin2005@163.com  
 dosin2005@dosin-china.com  
 Web: http://www.dosinconn.com  
 TEL: (0086) 769-81153906  
 FAX: (0086) 769-81875836

Name: TNC REVERSE POLARITY CRIMP PLUG FOR RG58

SIZE A	Product NO. DOSIN-802-0003	REV A
DateTime 2017/04/27	CAD FILE H/company drawings/BD	SHEET: 1 OF 1

Autodesk

Autodesk

6

6