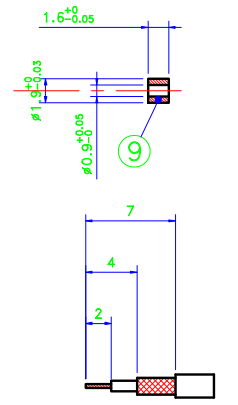
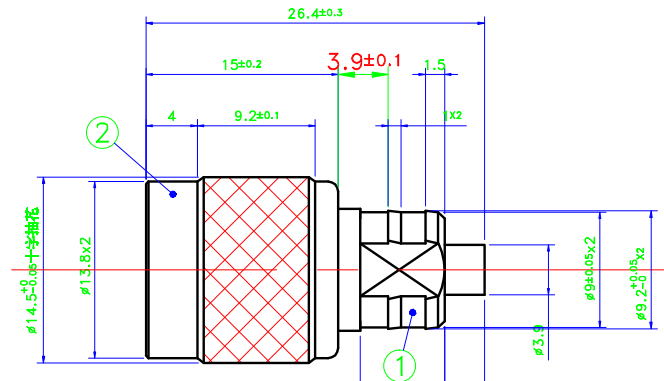
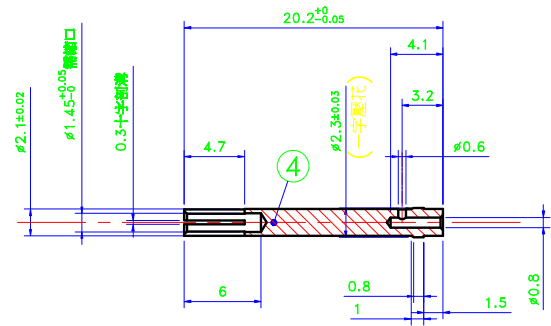
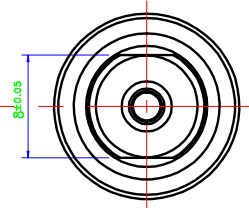
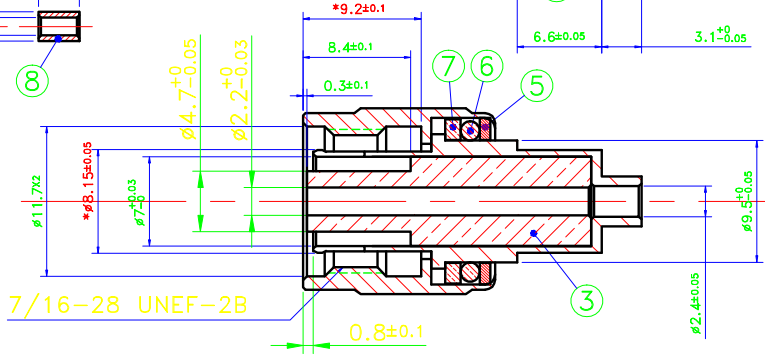
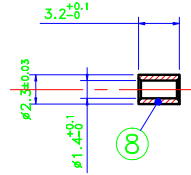




Product NO.		DOSIN-802-0001		
REV	DESCRIPTION	DWN	DATE	APPROVEN
A	First issue	Mr. Wang	2015/05/14	John kine
B				



Recommended Cable Strip



注意事項:

- 主體跟鐵弗龍需打點, 扭力需大於300gf.cm, 不可旋轉或脫落
- 主體與外殼扭轉力需可承受>17.3Kgf.cm
- Pin針軸向力需大於2.7kgf, 扭力需大於200gf.cm
- 母PIN: $\phi 1.45$ 內孔需縮口($\phi 1.02$ 可通— $\phi 1.30$ 可止)
- 組配件: ANT.144雙扣下面定座 RG178
- 外觀不可有車刀痕、刮傷、鏽污或毛邊
- 電鍍: 鍍鎳 80Microinches
Pin針鍍金 3Microinches
- 接頭扭力0.4Kgf.cm~1kgf.cm
- 接頭與下面定座拉力>20kgf
- 需過鹽霧測試48hr
- 接頭旋轉時不可有異音

1	BODY	Brass	Ni	1
2	CASE	Brass	Ni	1
3	INSULATOR-1	Teflon	White	1
4	PIN(F)	Brass	Gold	1
5	墊片	Brass	Ni	1
6	D-RING	POM	White	1
7	O-RING	Silicone	透明/黑色	1
8	C.SUPPORT	Brass	Ni	1
9	INSULATOR-2	Teflon	White	1
10				
NO	Component Number	Material	Finish	Q'TY

NOTE:
DRAWN Zelin. Zhang
CHECKED
APPROVALS

Tolerance	X ±0.15
	X.X ±0.10
	X.XX ±0.05
	Angular ±5°
View	
UNIT	MM
SCALE	1:1

DOSIN *Dosin Industrial (HK) Co. Ltd* B-mail: dosin2006@163.com
dosin2006@dosin-china.com
 东莞市德索五金电子制品有限公司 Web: http://www.dosinconn.com
Dosin Hardware Electronics Co., Ltd TEL: (0086) 769-81153906
FAX: (0086) 769-81875836

Name: TNC PLUG FOR ANT

SIZE	Product NO.	REV
A	DOSIN-802-0001	A
DateTime	CAD FILE	SHEET: 1 OF 1
2015/05/14	H/company drawings/BD	